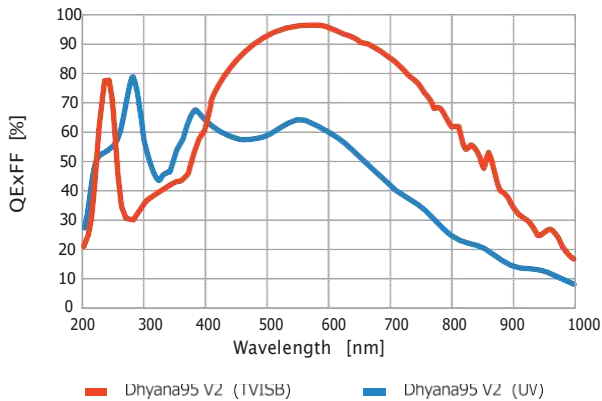


## Cooled BSI sCMOS Camera Dhyana 95V2

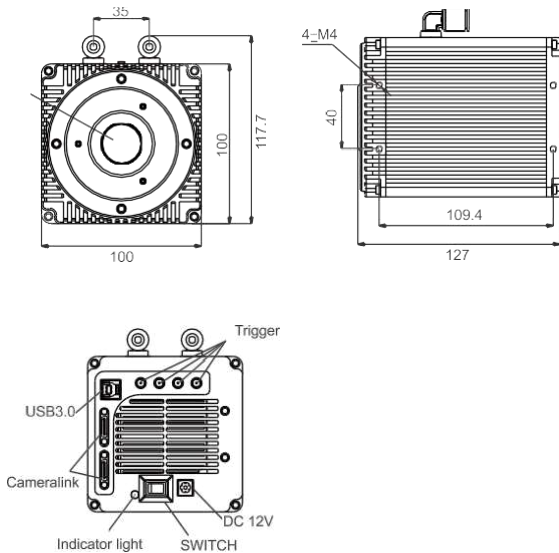


### Key Features

- 2" area
- 95%QE@560nm
- 48fps@full resolution
- 11 $\mu$ m x 11 $\mu$ m pixel size
- 11 $\mu$ m x 11 $\mu$ m pixel size
- USB3.0 / CameraLink interface



### Product structure (unit: mm)



### Specifications

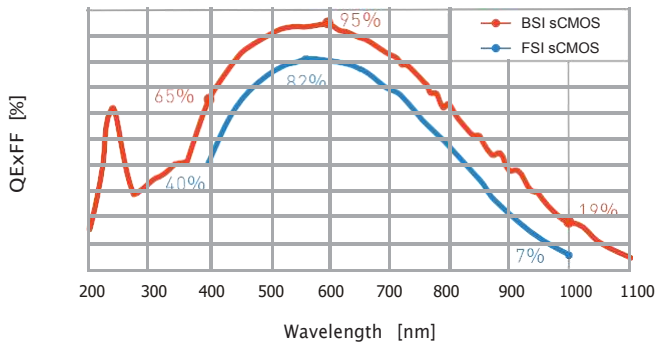
Model	Dhyana 95V2
Sensor model	BSI sCMOS
Shutter type	Rolling
Color/Mono	Mono
Effective area	22.5mm x 22.5mm
Resolution	2048(H) x 2048(V)
Pixel size	11 $\mu$ m x 11 $\mu$ m
QE	95%@560nm
Full-Well capacity	HDR: 80ke-; STD: 100ke-
Dynamic Range	90dB
Frame rate	24fps@16bit HDR, 48fps@12bit STD
Readout noise	1.6e-(Median)/1.7e-(RMS)
Exposure time	21 $\mu$ s~10s
DSNU	0.2e-
PRNU	0.3%
Cooling Method	Air & Liquid
Cooling temperature	45°C below ambient
Dark current	Air: 0.5e-/pixel/s, Liquid: 0.25e-/pixel/s
Binning	2x2, 4x4
ROI	2048x1024, 2048x512, 1608x1608, 1200x1200, 1024x1024, 512x512, 256x256
TimeStamp	1 $\mu$ s accuracy
Trigger Mode	Hardware & Software
Output Trigger Signals	Exposure, Global, Readout, High level, Low level
Trigger Interface	SMA
Data Interface	USB3.0/Cameralink
Data Bit Depth	16bit
Optiona Interface	C-mount & F-mount
Power Supply	12V/8A
Power Consumption	60W
Dimensions	C-mount: 100mm x 118mm x 127mm; F-mount: 100mm x 118mm x 157mm
Weight	1613g
Software	Mosaic / LabVIEW / Matlab / Micromanager / MetaMorph
SDK	C / C++
Operating System	Windows/Linux
Operating Environment	Temperature 0~40°C / Humidity 10~85%

# Cooled BSI sCMOS Camera Dhyana 400BSIV2

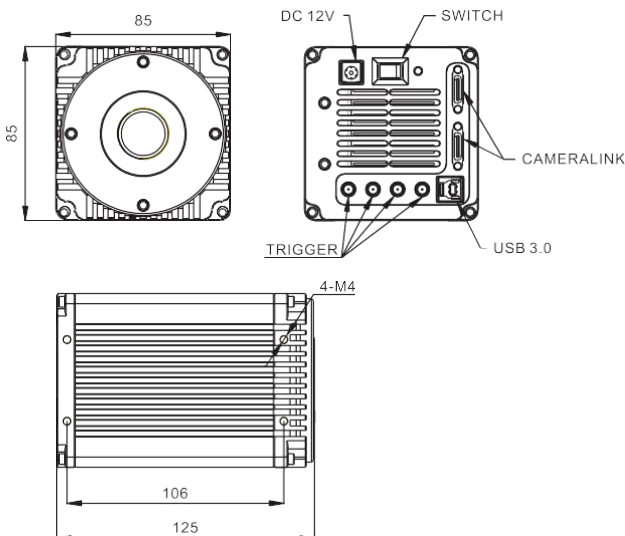


## Key Features

- 1.2" area
- 95%QE@600nm
- 74fps@full resolution
- 6.5µm x 6.5µm pixel size
- 45ke- full well capacity
- USB3.0 / CameraLink interface



## Product structure (unit: mm)



## Specifications

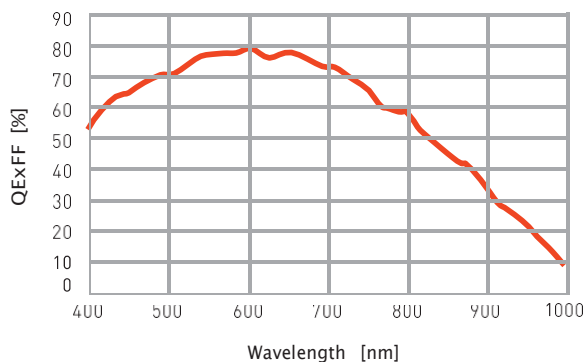
Model	Dhyana 400BSI V2
Sensor model	BSI sCMOS
Shutter type	Rolling/Global
Color/Mono	Mono
Effective area	13.3mm x 13.3mm
Resolution	2048(H) x 2048(V)
Pixel size	6.5µm x 6.5µm
QE	95%@600nm
Full-Well capacity	45ke-
Dynamic Range	86dB
Frame rate	74fps@CameraLink; 40fps@USB3.0
Readout noise	CMS: 1.1e-(Median)/1.2e-(RMS)
Exposure time	6.6µs-10s
DSNU	0.2e-
PRNU	0.3%
Cooling Method	Air & Liquid
Cooling temperature	45°C below ambient
Dark current	Air: 0.15e-/pixel/s@-15°C, Liquid: 0.10e-/pixel/s@-25°C
Binning	2x2, 4x4
ROI	Support
Trigger Mode	Hardware & Software
Output Trigger Signals	Exposure, Global, Readout, High level, Low level
Trigger Interface	SMA
Data Interface	USB3.0/Cameralink
Data Bit Depth	16bit
Optiona Interface	C-mount
Power Supply	12V/8A
Power Consumption	60W
Dimensions	85mm x 85mm x 125mm
Weight	1460g
Software	Mosaic / LabVIEW / Matlab / Micromanager / MetaMorph
SDK	Support
Operating System	Windows/Linux
Operating Environment	Temperature 0~40°C / Humidity 10~85%

# Cooled FSI sCMOS Camera Dhyana 400D

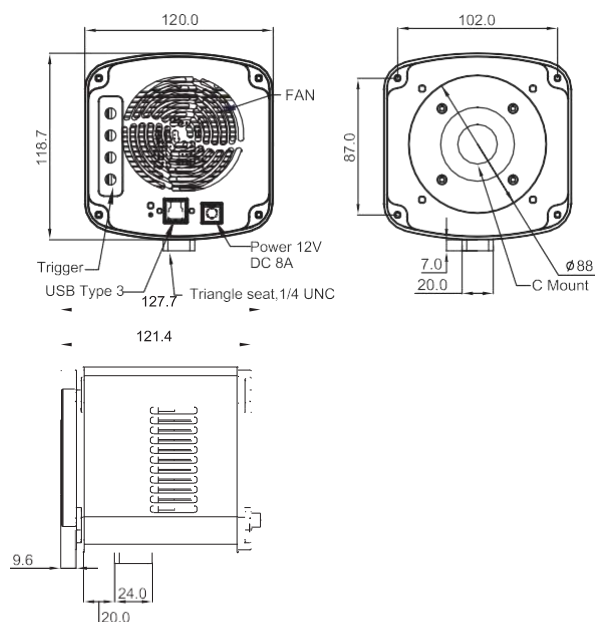


## Key Features

- 1.2" area
- 6.5µm x 6.5µm pixel size
- 80% peak QE
- 30ke- full well capacity
- 35fps@full resolution
- USB3.0 interface



## Product structure (unit: mm)



## Specifications

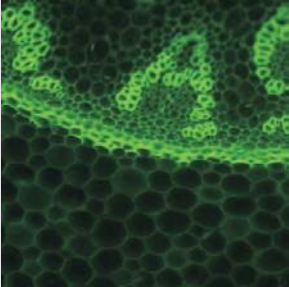
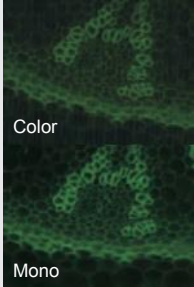
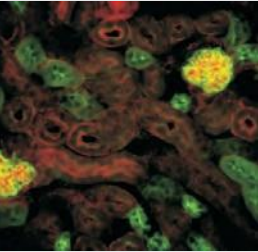
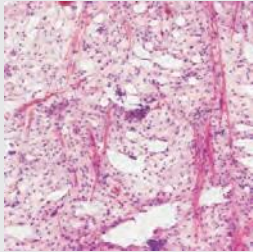
Model	Dhyana 400D
Sensor model	FSI sCMOS
Shutter type	Rolling
Color/Mono	Mono
Effective area	13.3mm x 13.3mm
Resolution	2048(H) x 2040(V)
Pixel size	6.5µm x 6.5µm
QE	80%@600nm
Full-Well capacity	30ke-
Dynamic Range	85dB
Frame rate	35fps
Readout noise	HDR: 2.5e-; HighGain: 2e-
Exposure time	13µs-10s
Cooling Method	Forced air
Cooling temperature	Forced air ( Ambient at +25°C): -10°C
Dark current	0.6 e-/pixel/s @ 0°C; 0.35 e-/pixel/s @ -10°C
Binning	2x2
ROI	Support
Trigger Mode	Hardware & Software
Output Trigger Signals	Exposure, Global, Readout
Trigger Interface	SMA
Data Interface	USB3.0
Data Bit Depth	16bit
Optiona Interface	C-mount
Power Supply	12V/8A
Power Consumption	60W
Dimensions	120mm x 119mm x 121mm
Weight	1853g
Software	Mosaic / LabVIEW / Matlab / Micromanager
SDK	Support
Operating System	Windows/Linux
Operating Environment	Temperature 0~40°C / Humidity 10~85%

# Cooled Color sCMOS Camera Dhyana 400DC



Owing to its scientific grade sensitivity, perfect color reproduction, wide field of view, low noise and impressive noise minimization, Dhyana 400DC results in a new capability which has formerly been unavailable in the field of scientific imaging.

## Specifications

400DC 1.2" color sCMOS Exposure time: 3ms	2/3" color sCMOS Exposure time: 3ms
	
	
400DC Multi-color fluorescence image	400DC Pathological analysis image

Model	Dhyana 400DC
Sensor model	FSI sCMOS
Shutter type	Rolling
Color/Mono	Color
Effective area	13.3mm x 13.3mm
Resolution	2048(H) x 2044(V)
Pixel size	6.5µm x 6.5µm
QE	80%@600nm
Full-Well capacity	30ke-
Dynamic Range	85dB
Frame rate	22fps/s-8bit ; 16fps/s-16bit
Readout noise	HighGain: 1.7e-
Exposure time	21µs-10s
Cooling Method	Forced air
Cooling temperature	Forced air ( Ambient at +25°C): -10°C
Dark current	0.6 e-/pixel/s @ 0°C; 0.35 e-/pixel/s @ -10°C
Binning	2x2
ROI	Support
Trigger Mode	Hardware & Software
Output Trigger Signals	Exposure, Global, Readout
Trigger Interface	Hirose
Data Interface	USB3.0
Data Bit Depth	16bit
Optiona Interface	C-mount
Power Supply	12V/8A
Power Consumption	50W
Dimensions	120mm x 119mm x 121mm
Weight	1853g
Software	Mosaic / LabVIEW / Matlab / Micromanager
SDK	Support
Operating System	Windows/Linux
Operating Environment	Temperature 0~40°C / Humidity 10~85%

